

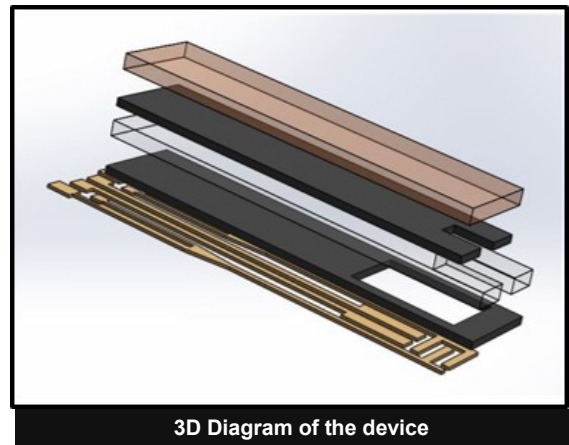
# BioEnGene

Engaging genes for Innovation & Entrepreneurship

## NOW BLOOD GLUCOSE LEVELS CAN BE MONITORED WITH JUST “ONE KISS”

Jan 2019

Non-Invasive is a rather simple term for a trend which is there in the field of bio-medical devices nowadays. The **Team BioEnGene from IIT Kharagpur** encountered this term within the problem statement for **BETiC medical innovation challenge in 7th Inter-IIT Tech meet 2018**. Hence they embarked on their journey to develop a non-invasive tool for screening diabetes. Brainstorming upon the constant inputs from literature reviews, medical community and several professors resulted in “**Saliva**” being



3D Diagram of the device

their sample of choice for the screening device. They strengthened their idea with various simulations and devised a roadmap. Relentless efforts from the team lead to the development of several prototypes until a significant level of success in screening a diabetic individual from the pool of individuals was achieved. The amperometric prototype developed is cost effective and quite economic. Their efforts were rewarded with apprecia-



GOLD winning Team BioEnGene at IIT Bombay Inter IIT Tech meet .

tion from the organizing institution and **GOLD** in the competition, though their journey continues towards building a tool that can not only screen but also help a patient in real-time monitoring of their sugar levels. **Team BioEnGene** envisions to commercialize their POC glucose biosensor under the brand “**One Kiss**” with the product named “**GlucoSali**”.

This team consisting of young innovators is resolute to work on several other projects which will ease the agony of patients. They aspire to create a difference in the life of common people.

**It's called a teamwork for a reason**

## MEMBERS

### TEAM MEMEBERS

**Satyanarayana Reddy B**

**Kumar Virbhadra**

**Sidharth J**

**Pratik Biswas**

**Adarsh Singh**

**Tarique Anwar**

**Ayan Majumdar**

**Anurag Goyal**

**Saurabh Sharma**

**V. Balasubramaniam**

**Krishna Kshirsagar**

